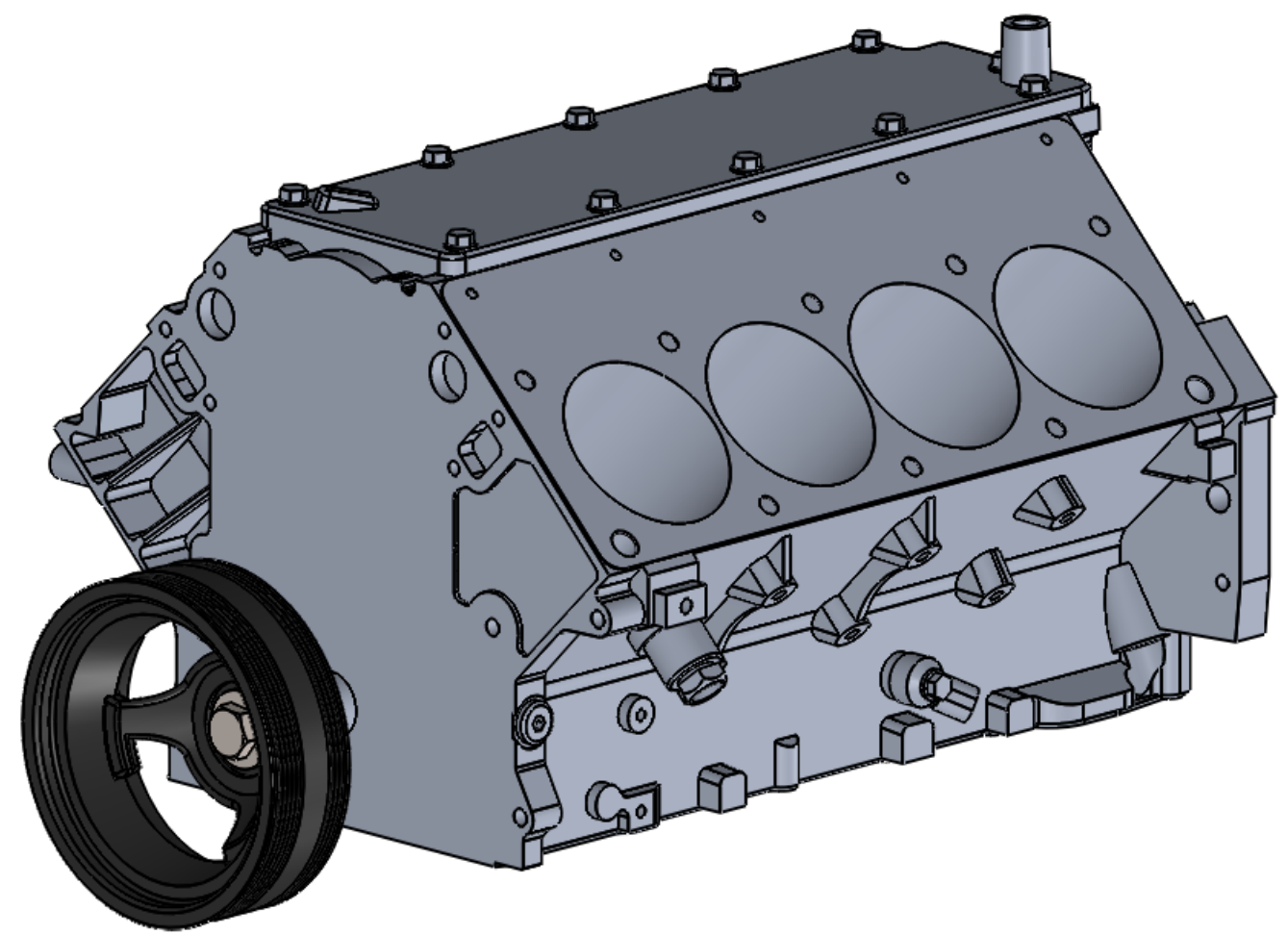
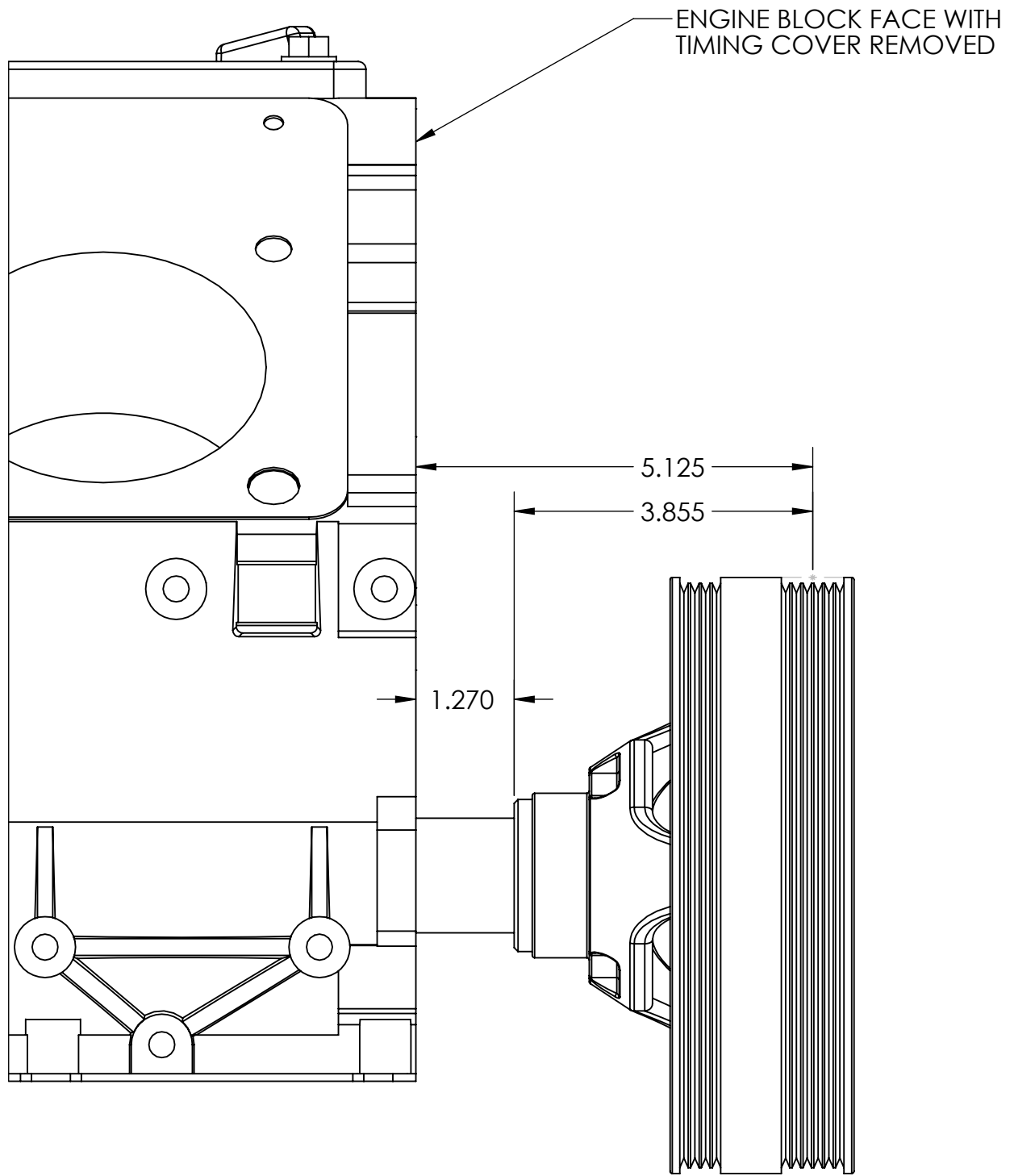



8 7 6 5 4 3 2 1

D
C
B
A



D
C
B
A

 <p>PROPRIETARY AND CONFIDENTIAL THE INFORMATION CONTAINED IN THIS DRAWING IS THE SOLE PROPERTY OF KRC POWER. ANY REPRODUCTION IN PART OR AS A WHOLE WITHOUT THE WRITTEN PERMISSION OF KRC POWER IS PROHIBITED.</p>	<p>UNLESS OTHERWISE SPECIFIED:</p> <p>DIMENSIONS ARE IN INCHES TOLERANCES: FRACTIONAL ± ANGULAR: MACH ± BEND ± TWO PLACE DECIMAL ± THREE PLACE DECIMAL ±</p>	<table border="1"> <tr> <td>DRAWN</td> <td>NAME</td> <td>DATE</td> </tr> <tr> <td>CHECKED</td> <td></td> <td></td> </tr> <tr> <td>ENG APPR.</td> <td></td> <td></td> </tr> <tr> <td>MFG APPR.</td> <td></td> <td></td> </tr> <tr> <td>Q.A.</td> <td></td> <td></td> </tr> </table>	DRAWN	NAME	DATE	CHECKED			ENG APPR.			MFG APPR.			Q.A.			<p>TITLE: TRUCK BALANCER ASSEMBLY</p>	
	DRAWN	NAME	DATE																
CHECKED																			
ENG APPR.																			
MFG APPR.																			
Q.A.																			
<p>INTERPRET GEOMETRIC TOLERANCING PER:</p> <p>MATERIAL</p> <p>FINISH</p> <p>DO NOT SCALE DRAWING</p>	<p>COMMENTS:</p> <p>DIMENSIONS ON BELT TRACK ARE CENTERED IN TRACK</p>	<table border="1"> <tr> <td>SIZE B</td> <td>DWG. NO.</td> <td>REV A</td> </tr> <tr> <td>SCALE: 1:2</td> <td>WEIGHT:</td> <td>SHEET 1 OF 1</td> </tr> </table>	SIZE B	DWG. NO.	REV A	SCALE: 1:2	WEIGHT:	SHEET 1 OF 1											
SIZE B	DWG. NO.	REV A																	
SCALE: 1:2	WEIGHT:	SHEET 1 OF 1																	

8 7 6 5 4 3 2 1