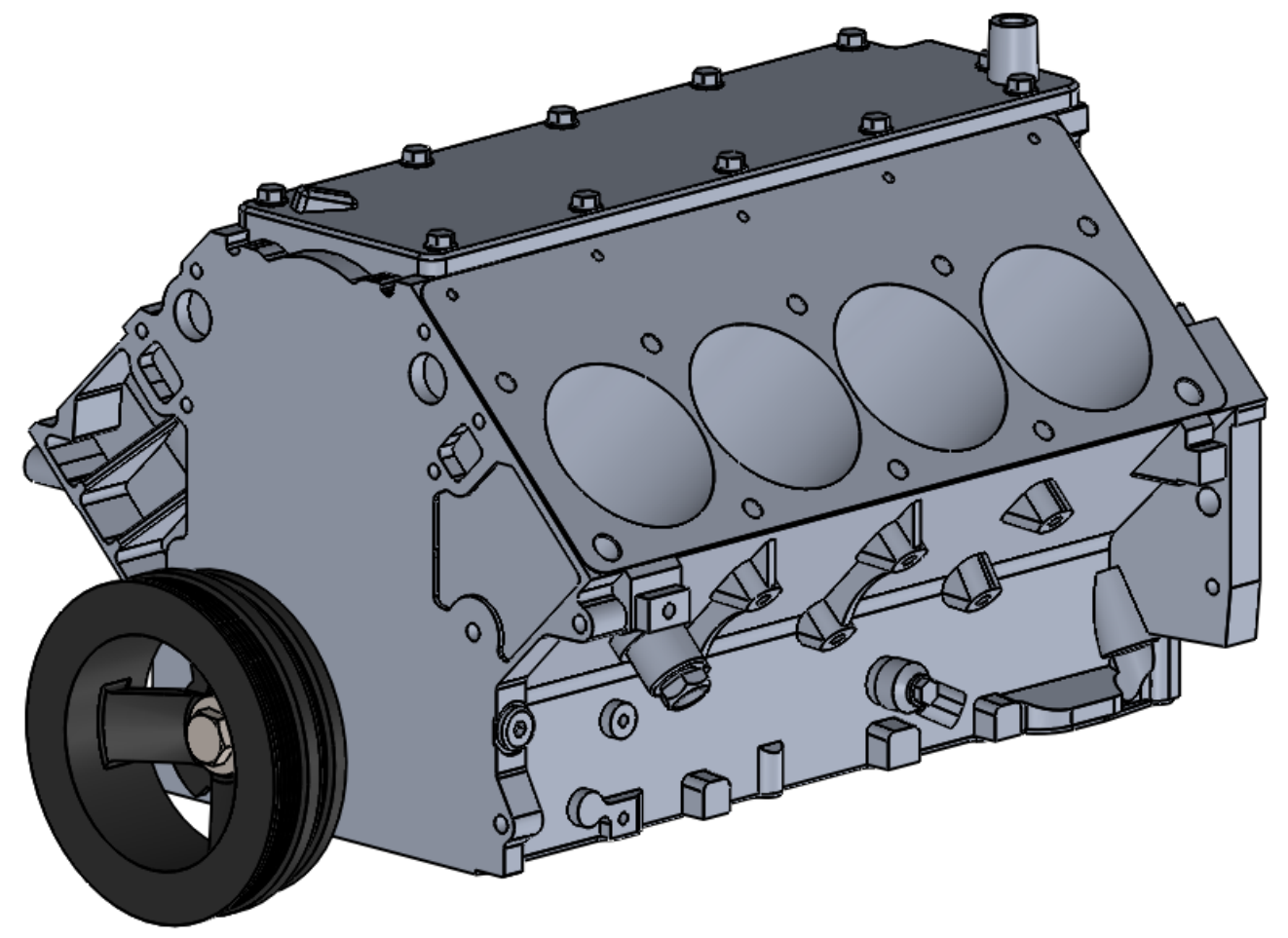
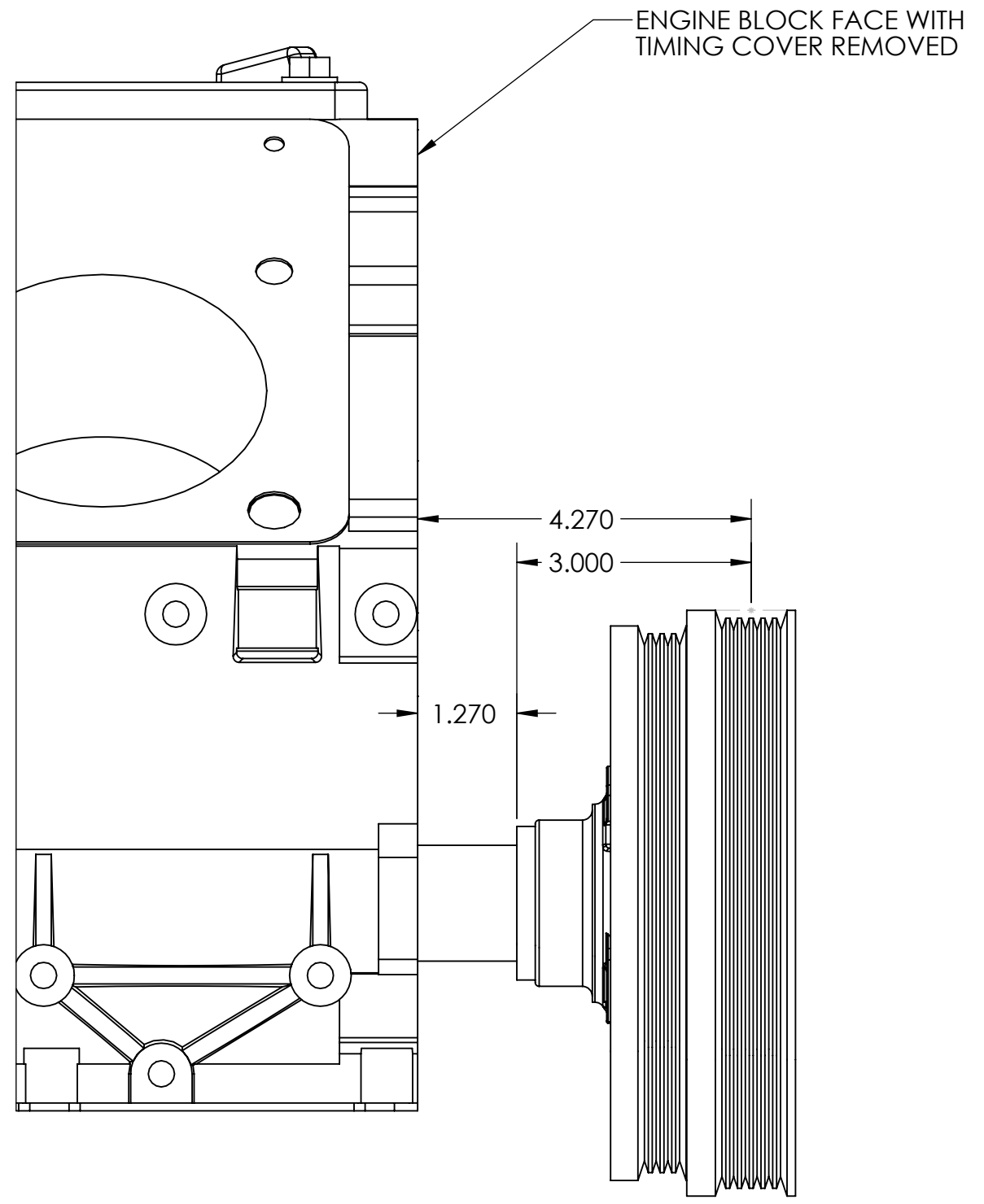



8 7 6 5 4 3 2 1

D
C
B
A



D
C
B
A

 <p>PROPRIETARY AND CONFIDENTIAL THE INFORMATION CONTAINED IN THIS DRAWING IS THE SOLE PROPERTY OF KRC POWER. ANY REPRODUCTION IN PART OR AS A WHOLE WITHOUT THE WRITTEN PERMISSION OF KRC POWER IS PROHIBITED.</p>	<p>UNLESS OTHERWISE SPECIFIED:</p> <p>DIMENSIONS ARE IN INCHES TOLERANCES: FRACTIONAL ± ANGULAR: MACH ± BEND ± TWO PLACE DECIMAL ± THREE PLACE DECIMAL ±</p>	<table border="1"> <tr> <td>DRAWN</td> <td>NAME</td> <td>DATE</td> </tr> <tr> <td>CHECKED</td> <td>ATH</td> <td>7-2-14</td> </tr> <tr> <td>ENG APPR.</td> <td></td> <td></td> </tr> <tr> <td>MFG APPR.</td> <td></td> <td></td> </tr> <tr> <td colspan="3">Q.A.</td> </tr> <tr> <td colspan="3">COMMENTS:</td> </tr> </table>	DRAWN	NAME	DATE	CHECKED	ATH	7-2-14	ENG APPR.			MFG APPR.			Q.A.			COMMENTS:			<p>TITLE:</p> <h2>F BODY BALANCER ASSEMBLY</h2>
	DRAWN	NAME	DATE																		
	CHECKED	ATH	7-2-14																		
	ENG APPR.																				
MFG APPR.																					
Q.A.																					
COMMENTS:																					
<p>INTERPRET GEOMETRIC TOLERANCING PER:</p> <p>MATERIAL</p> <p>FINISH</p> <p>DO NOT SCALE DRAWING</p>	<p>DIMENSIONS ON BELT TRACK ARE CENTERED IN TRACK</p>	<table border="1"> <tr> <td>SIZE</td> <td>DWG. NO.</td> <td>REV</td> </tr> <tr> <td>B</td> <td></td> <td>A</td> </tr> </table>	SIZE	DWG. NO.	REV	B		A													
SIZE	DWG. NO.	REV																			
B		A																			
			<table border="1"> <tr> <td>SCALE: 1:2</td> <td>WEIGHT:</td> <td>SHEET 1 OF 1</td> </tr> </table>	SCALE: 1:2	WEIGHT:	SHEET 1 OF 1															
SCALE: 1:2	WEIGHT:	SHEET 1 OF 1																			

8 7 6 5 4 3 2 1